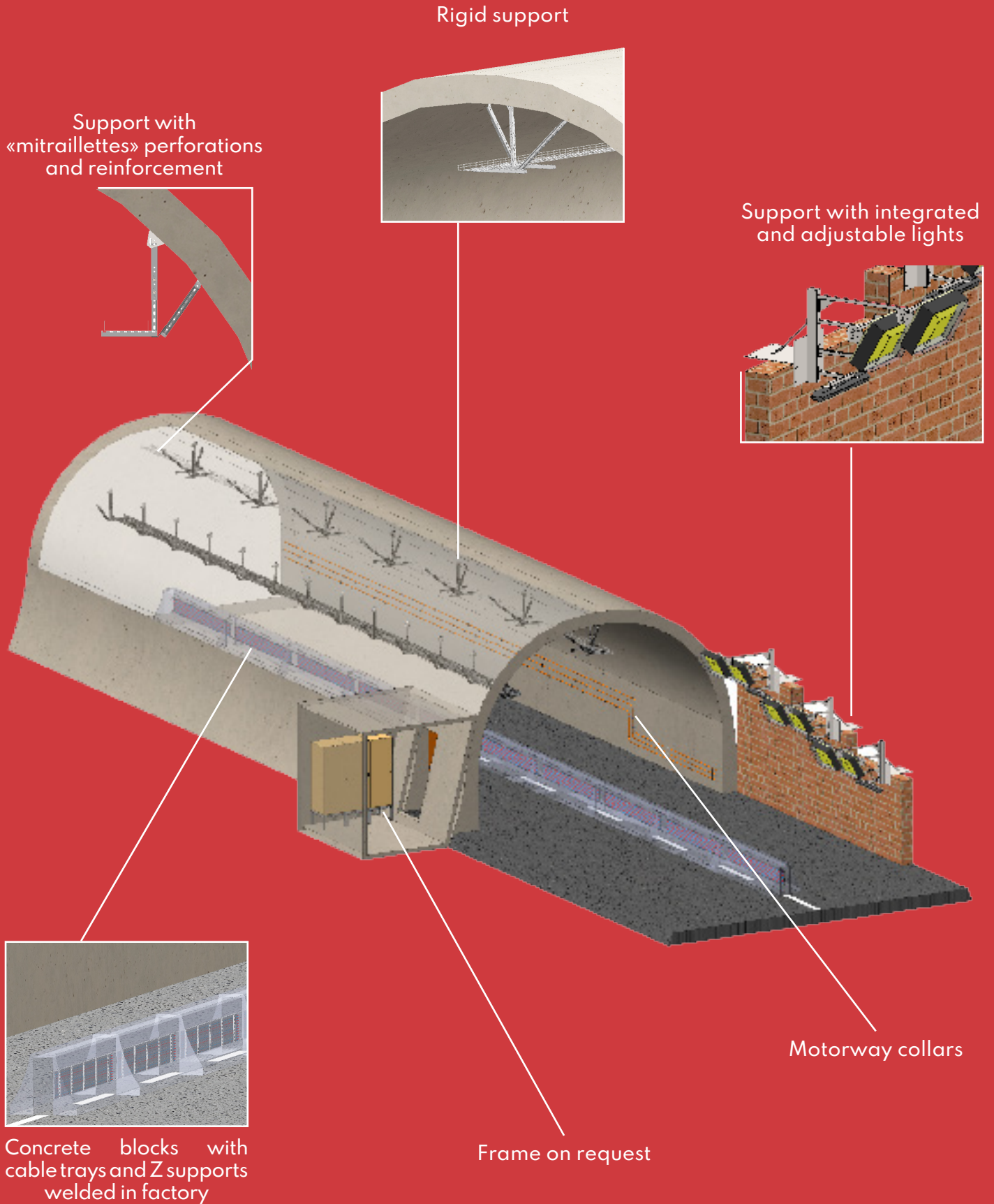
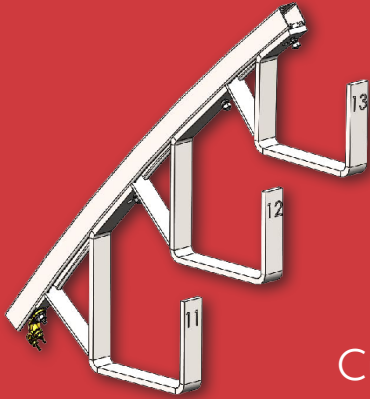


Tailor-made manufacturing

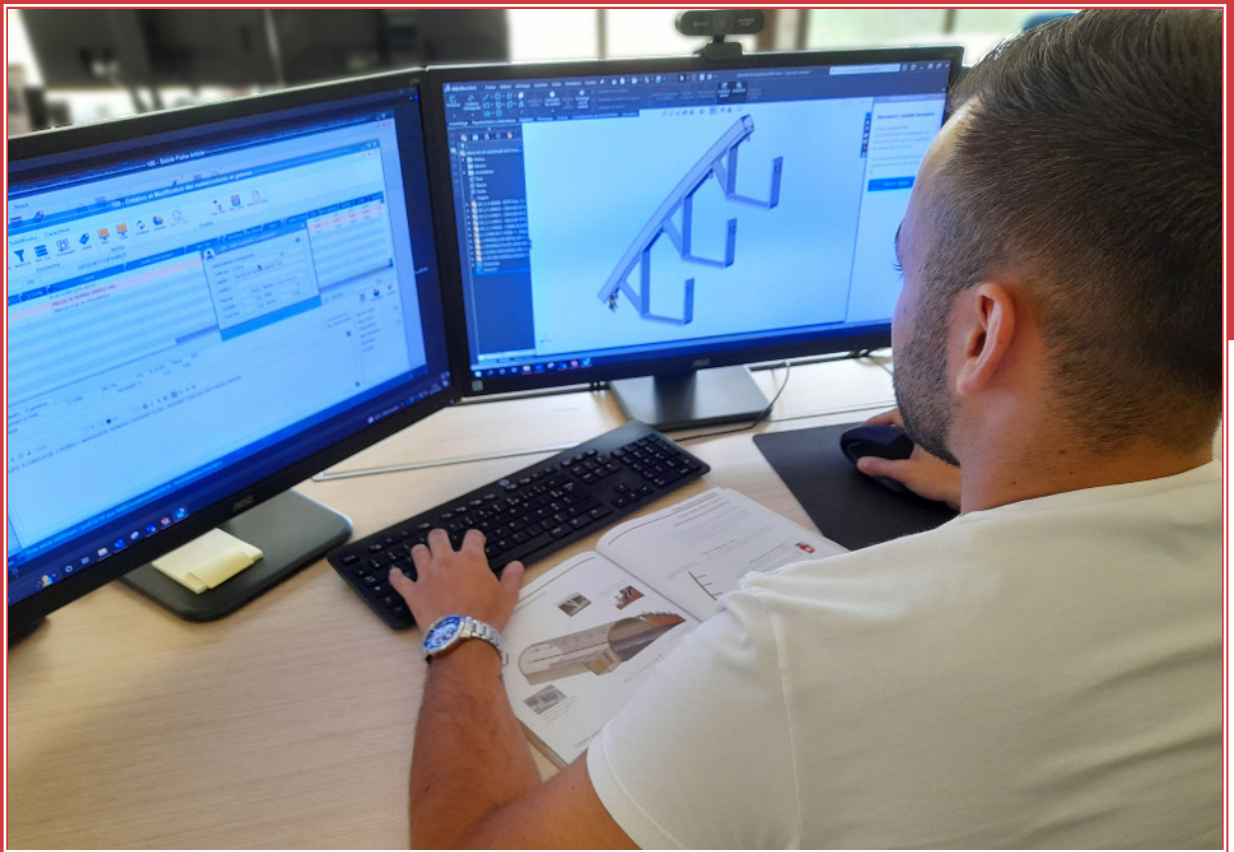


Tailor-made manufacturing

“
« Our customers, our greatest source
of inspiration »
”



Curved channel with inclined hooks by **OB Profils**



› RATP supports - Subway - Tramway

Curved support

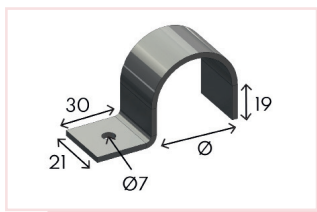
For the installation of cable trays in these infrastructures, 3 models of supports have been standardized, used on the French capital subway lines and for the «Grand Paris Express» project.



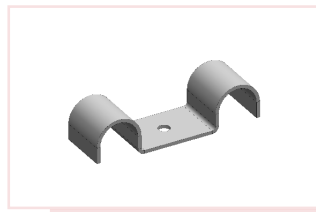
In order to fit the segments of the tunnels, we have designed a curved channel adapted to your radii for your railway worksites.

Motorway collar

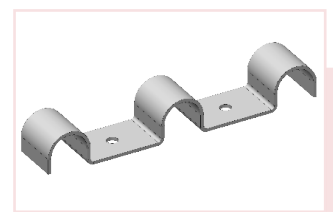
Single collar



Double collar



Triple collar



	Number of pieces	Ø mm	EZ	80µ HDG	SS316L	
Single collar - 10	100	10	-	COG 10	COI 10	
Single collar - 11		11	-	COG 11	COI 11	
Single collar - 13		13	-	COG 13	COI 13	
Single collar - 14		14	-	COG 14	COI 14	
Single collar - 16		16	-	-	COI 16	
Single collar - 19		19	-	COG 19	COI 19	
Double collar - 19		19	-	-	COI 19D	
Single collar - 22		22	-	COG 22	COI 22	
Single collar - 23		23	-	COG 23	COI 23	
Single collar - 24		24	24	COG 24 B	COG 24	COI 24
Single collar - 25		25	-	-	COI 25	
Single collar - 26		26	-	-	COI 26	
Single collar - 27		27	-	COG 27	COI 27	
Single collar - 28		28	-	-	COI 28	
Single collar - 32		32	32	COG 32 B	COG 32	-
Single collar - 35		35	-	COG 35	-	
Single collar - 38		38	-	COG 38	-	
Single collar - 42		42	-	COG 42	COI 42	
Single collar - 46		46	-	COG 46	-	

1°) Choose your model



Model 1
Inclined hooks



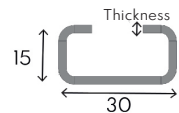
Model 2
straight hooks



Model 3
Harrows

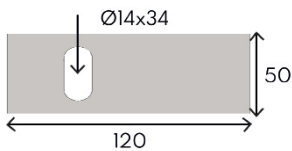
2°) Specify the channel length and thickness

Length - mm	
2 mm thickness	
2,5 mm thickness	

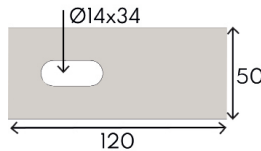


3°) Specify the type of plate and the quantity per channel

Number of plates per channel

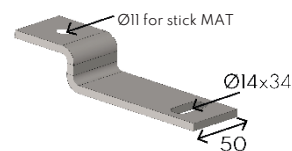


Type 1 : Plate - V
Vertical slotted hole

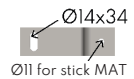


Type 2 : Plate - H
Horizontal slotted hole

Type 1 Type 2 Type 3



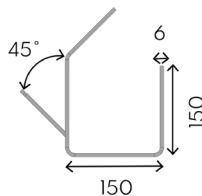
Type 3 : Z - H
Horizontal slotted hole



4°) Specify the type of plate and the quantity per channel

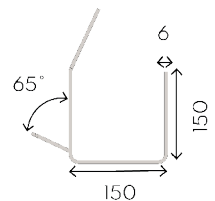
Inclined hooks

Specify the number of hooks per channel :



Inclined hooks

Specify the number of hooks per channel :



5°) Specify the type of straight hooks and the number

Straight hooks	Number of channel	Straight hooks	Number of channel
120x120 hooks		200x200 hooks	
120x150 hooks		240x240 hooks	
150x150 hooks		240x150 hooks	



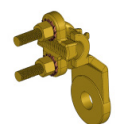
6°) Specify the type of harrows and the number

Harrows	Number of channel	Harrows	Number of channel
150x100 harrows		200x100 harrows	
150x150 harrows		200x150 hooks	
150x200 harrows		200x200 harrows	



7°) Specify if you want a lug

With lug Without lug

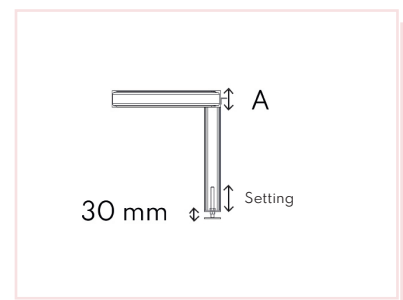
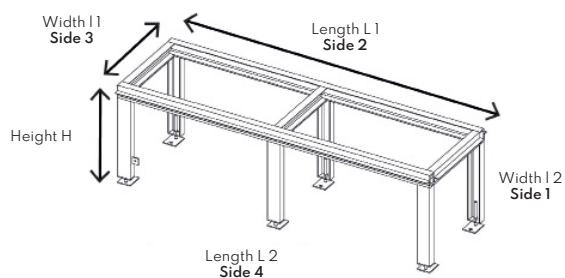
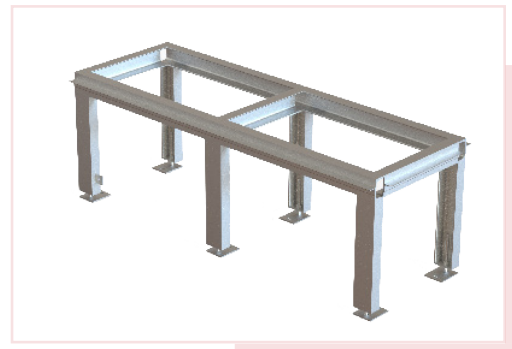


› Cabinet frame

Find our form in PDF on www.ob-profiles.com

We make electrical cabinet frames according to your dimensions. They can be pre-assembled in factory, reducing installation time or assembled on site.

Our design office will provide you with customized plans and a quotation complying with your requirements.



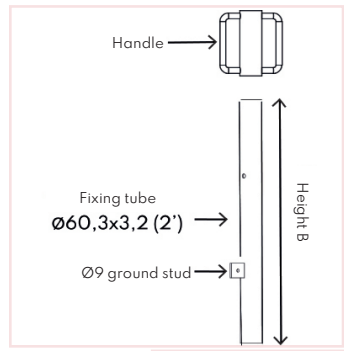
Length L (mm)					
Width l (mm)					
Height H (mm)					
Thickness of raised floor A (mm)					
Number of feet					
Number of additionnal crossbars					
Desired spacing between crossbars					
Setting in Height +/- (mm) 30 mm minimum					
Maximum supported load (kg)					
Peripheral angle welded to the side	Side 1	Side 2	Side 3	Side 4	
Cylindrical perforation top side	No	Yes	Quantité :		
Earth connection	Yes			No	
Finish	Raw	HDG	Epoxy specify RAL	SS304L	SS316L

Find our form in PDF on www.ob-profls.com

The lighting mast can be equipped with an adjustable mast, an U for padding and a chain lock.

Optional :

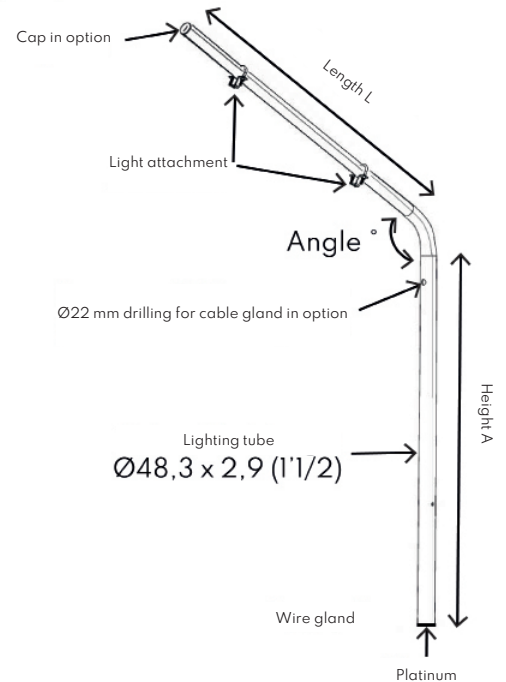
- Cap
- Drilling for wire passage
- Hanging system



Light bracket



Chain lock



	Single lighting mast			Double lighting mast		
	Yes	No		Yes	No	
Length L (mm)						
Omega for fixing light	Yes	No		Yes	No	
Height A lighting tube (mm)						
Height B fixing tube (mm)	/					
Angle (°)						
Plastic cap	Yes	No		Yes	No	
Drilling for cable gland	Yes	No		Yes	No	
Handle	/			Yes	No	
Fixing	Rembordé avec étrier	Wall	Floor	Rembordé avec étrier	Wall	Floor
Stirrup	Quantity :			Quantity :		
Finish	Hot Dip Galvanized	SS304L	SS316L	Hot Dip Galvanized	SS304L	SS316L

